

SINGER

14U64A

PARTS LIST

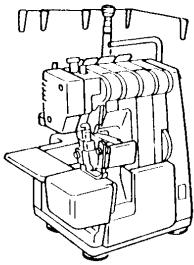
SINGER^{*}

14U64A

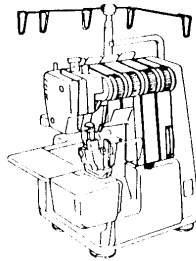
* A Trademark of THE SINGER COMPANY
Copyright © 1985 THE SINGER COMPANY
All Rights Reserved Throughout World

INDEX

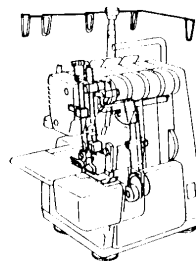
1



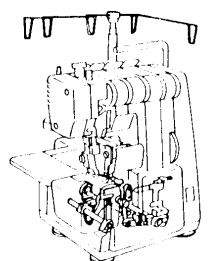
2



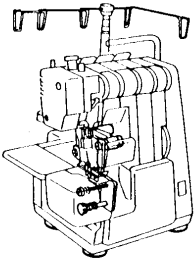
3



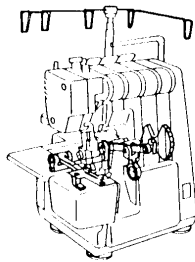
4



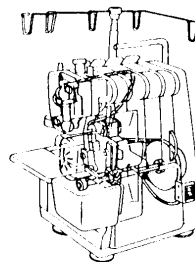
5



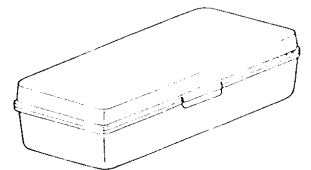
6

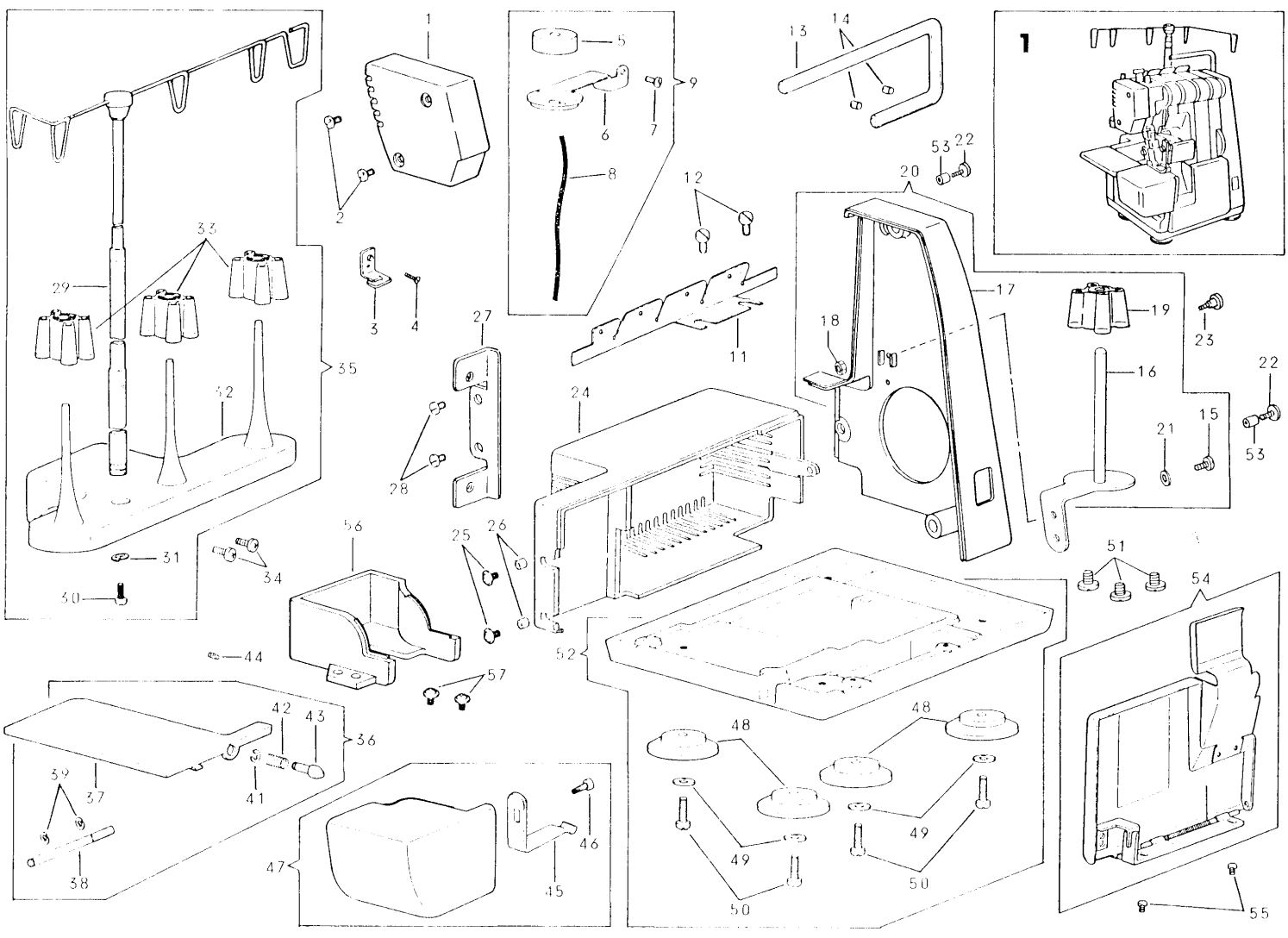


7

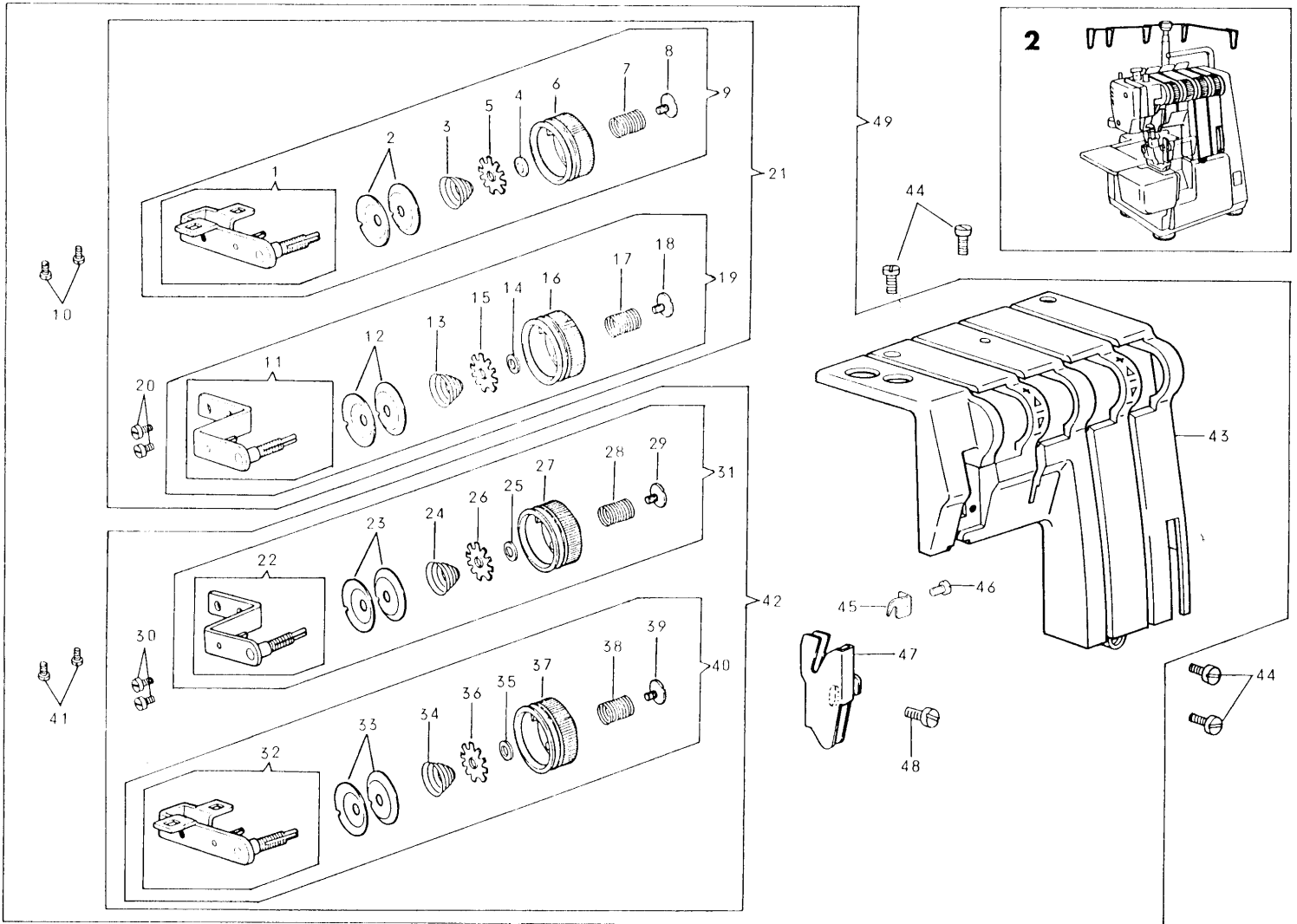


8

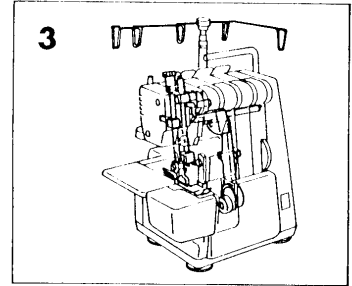
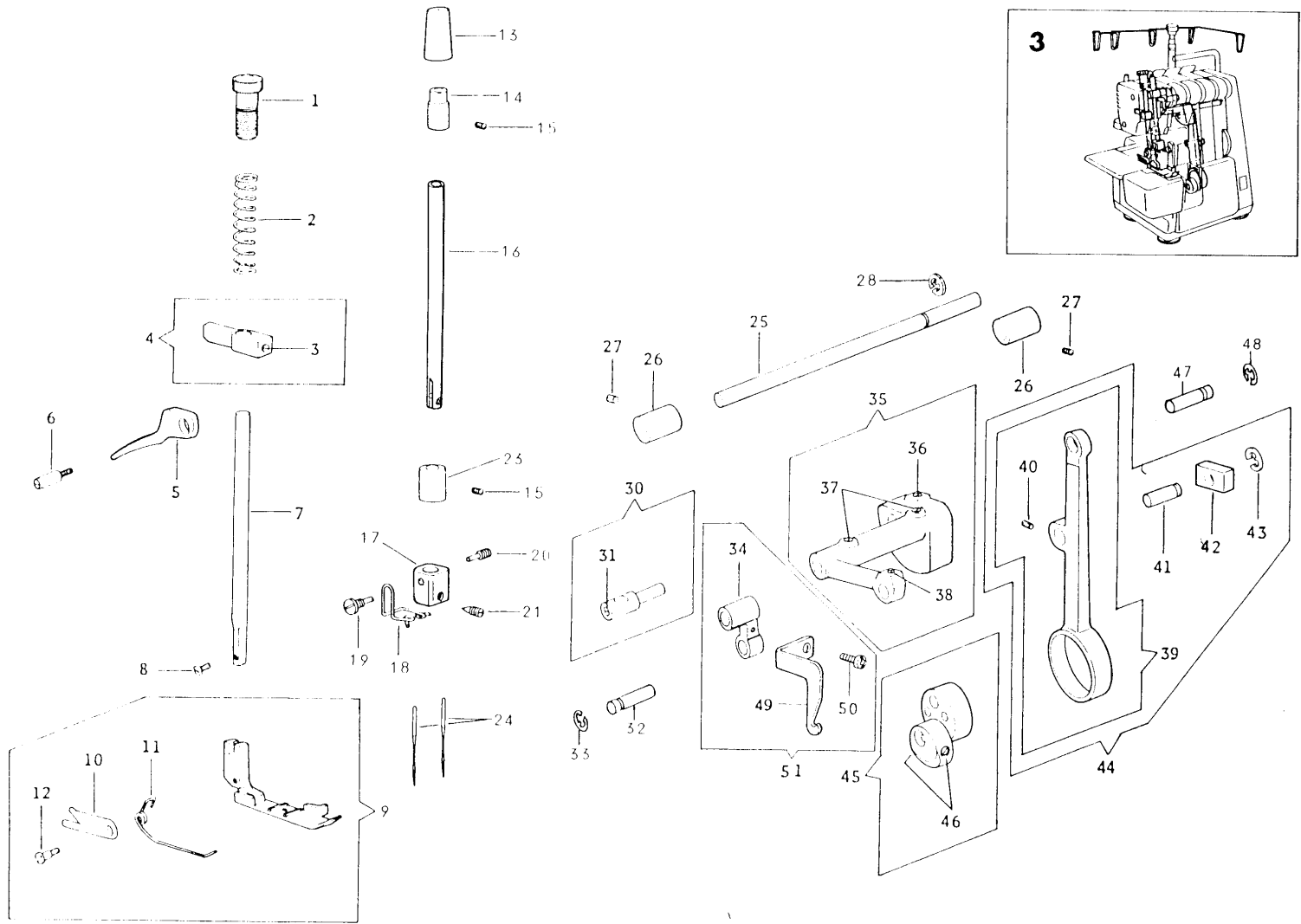




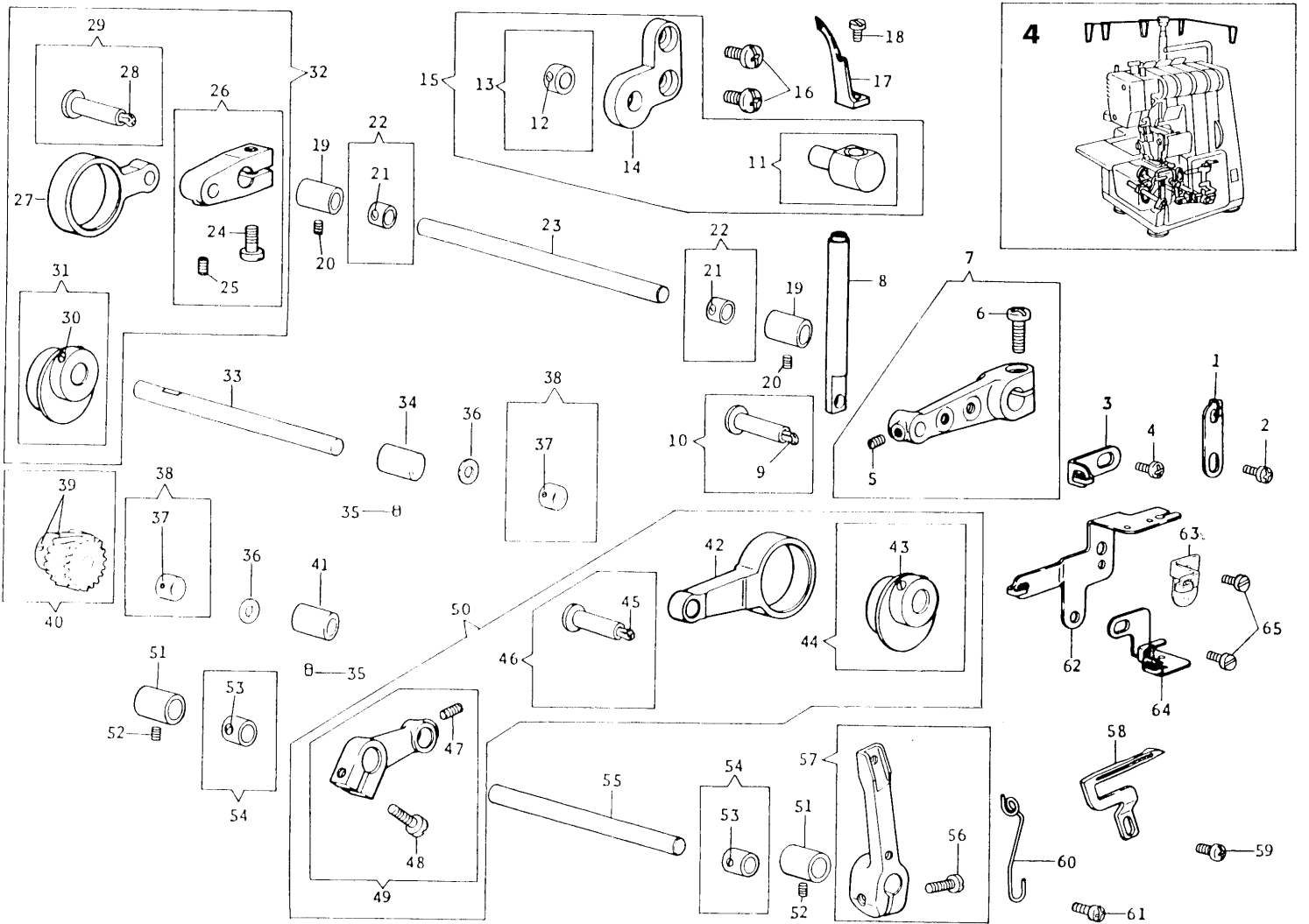
PART NO.	DESCRIPTION	PART NO.	DESCRIPTION
1 412755	Light Cover		
2 544212-072	Light Cover Screw (2)	34 544270-001	Looper Cover Screw (2)
3 412554	Needle Thread Guide	35 412736	Transformer Cover
4 544258	Needle Thread Guide Screw	37 544270-001	Transformer Cover Screw (2)
5 410205	Felt		
6 410204	Felt Support		
7 544039	Felt Support Set Screw		
8 543370	Oil Wick		
9 410203	Felt Support		
11 410209	Thread Guide Plate		
12 544212-001	Thread Guide Plate Set Screw (2)		
13 410202	Handle		
14 544204-005	Handle Set Screw (2)		
15 544212-073	Thread Rewinder (small) Screw		
16 412515	Thread Rewinder (small) Comp.		
17 412750	Bulley Cover		
18 541163-001	Thread Rewinder (small) Screw Nut		
19 543893	Spool Holder		
20 412766	Bulley Cover Comp.		
21 543805-053	Thread Rewinder (small) Screw Washer		
22 544270-001	Bulley Cover Screw (2)		
23 544271	Bulley Cover Screw Stud		
24 410248	Motor Cover		
25 544270-001	Motor Cover Screw (2)		
26 408792	Motor Cover Screw Spacer (2)		
27 410468	Motor Cover Mounting Plate		
28 544212-001	Motor Cover Mounting Plate Screw (2)		
29 412761	Thread Rewinder Thread Guide Led Comp.		
30 544212-003	Thread Rewinder Thread Guide Led Screw		
31 543805-003	Thread Rewinder Thread Guide Led Screw Washer		
32 410389	Thread Rewinder Comp.		
33 546893	Spool Holder (2)		
34 544213-001	Thread Rewinder Comp. Screw (2)		
35 412767	Thread Rewinder Comp.		
36 412662	Convertible Bed Plate Comp.		
37 412663	Convertible Bed Plate Comp.		
38 410246	Convertible Bed Plate Stud		
39 546623	Convertible Bed Plate Stud Retaining Ring (2)		
41 546623	Convertible Bed Plate Latch Retaining Ring		
42 381877	Convertible Bed Plate Latch Spring		
43 381874-451	Convertible Bed Plate Latch		
44 544203-001	Convertible Bed Plate Stud Screw		
45 412682	Cylinder Cover Spring		
46 412697	Cylinder Cover Spring Clamping Screw		
47 412706	Cylinder Cover Comp.		
48 410208	Machine Base Cushion (4)		
49 543805-004	Machine Base Cushion Screw Washer (4)		
50 544218-001	Machine Base Cushion Screw (4)		
51 544214-005	Machine Base Screw (2)		
52 410206	Machine Base		
53 408792	Bulley Cover Screw Spacer (2)		
54 412750-001	Looper Cover Comp.		



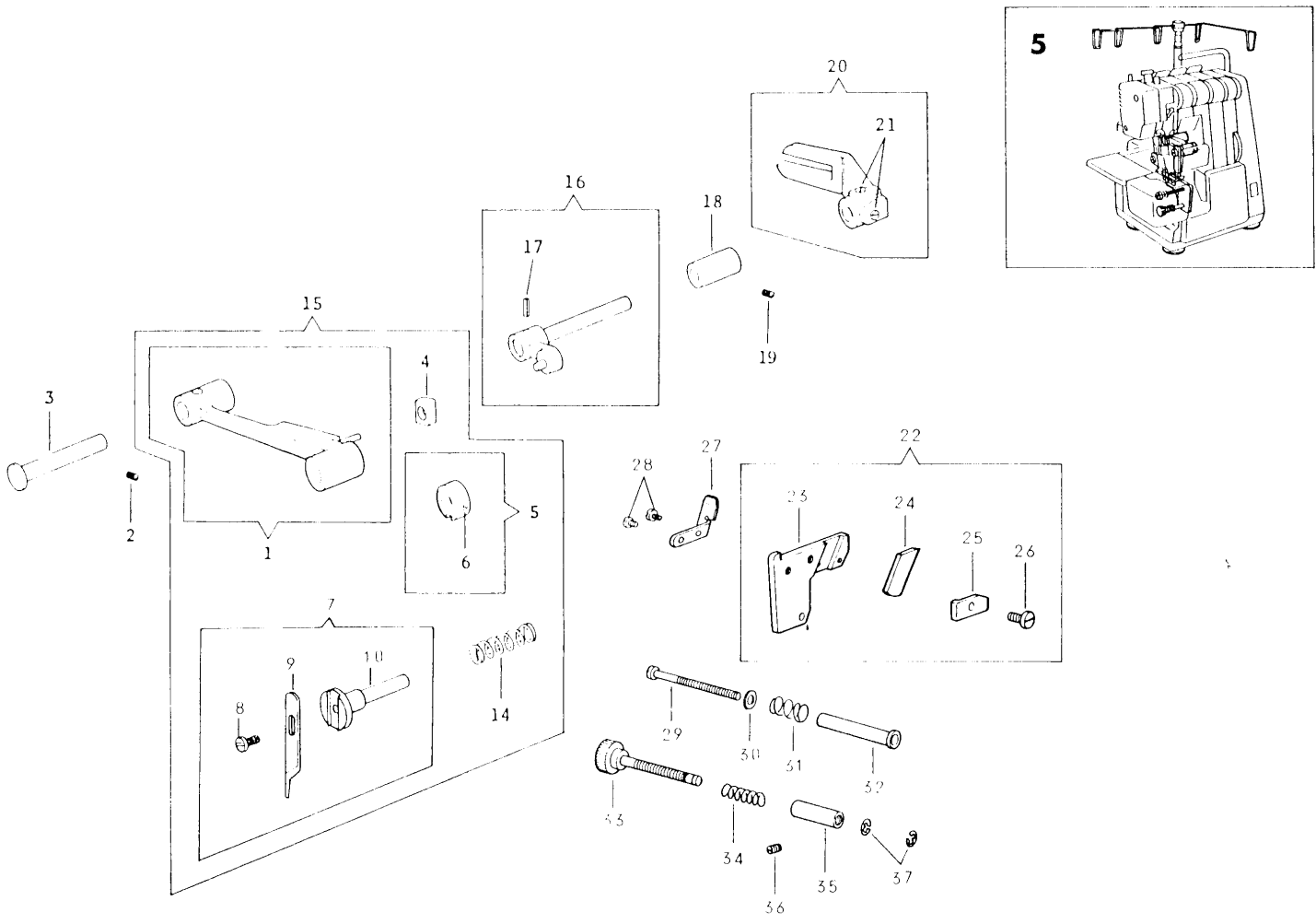
	PART NO.	DESCRIPTION	PART NO.	DESCRIPTION
1	412674	One Turn Tension Dial Bracket (right) Comp.		
2	410226	Tension Disc (2)		
3	412680	Tension Disc Spring		
4	412696	Washer		
5	412681	Tension Disc Spring Nut		
6	410229-452	Tension Dial Comp.		
7	410230	Tension Dial Presser Spring		
8	544265	Tension Dial Presser Spring Screw		
9	412672	One Turn Tension Dial Comp. (L) (right)		
10	412697	Tension Dial Comp. Screw (2)		
11	412675	One Turn Tension Dial Bracket (left) Comp.		
12	410226	Tension Disc (2)		
13	412679	Tension Disc Spring		
14	412696	Washer		
15	412681	Tension Disc Spring Nut		
16	410229-451	Tension Dial Comp.		
17	410230	Tension Dial Presser Spring		
18	544265	Tension Dial Presser Spring Screw		
19	412673	One Turn Tension Dial Comp. (L) (left)		
20	544212-001	Tension Dial Bracket (left) Set Screw (2)		
21	412670	One Turn Tension Dial Comp. (L)		
22	412675	One Turn Tension Dial Bracket (left) Comp.		
23	410226	Tension Disc (2)		
24	412720	Tension Disc Spring		
25	412696	Washer		
26	412681	Tension Disc Spring Nut		
27	410229-455	Tension Dial Comp.		
28	410230	Tension Dial Presser Spring		
29	544265	Tension Dial Presser Spring Screw		
30	544212-001	Tension Dial Bracket (left) Set Screw (2)		
31	412671	One Turn Tension Dial Comp. (N) (left)		
32	412674	One Turn Tension Dial Bracket (right) Comp.		
33	410226	Tension Disc (2)		
34	412720	Tension Disc Spring		
35	412696	Washer		
36	412681	Tension Disc Spring Nut		
37	410229-454	Tension Dial Comp.		
38	410230	Tension Dial Presser Spring		
39	544265	Tension Dial Presser Spring Screw		
40	412764	One Turn Tension Dial Comp. (N) (right) (for 2 needle)		
41	412697	Tension Dial Comp. Screw (2)		
42	412756	One Turn Tension Dial Comp. (N) (for 2 needle)		
43	412754-001	Front Cover (body) Comp. (for 2 needle)		
44	544212-073	Front Cover Screw (4)		
45	412531	Front Cover Thread Guide (small)		
46	412697	Front Cover Thread Guide (small) Screw		
47	412751	Front Cover Thread Guide (for 2 needle)		
48	412697	Front Cover Thread Guide Screw		
49	412753	Front Cover Comp. (for 2 needle)		



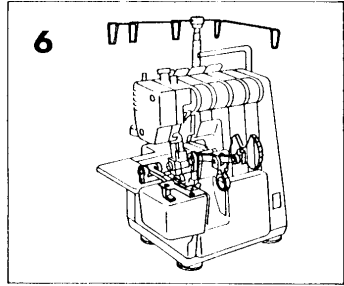
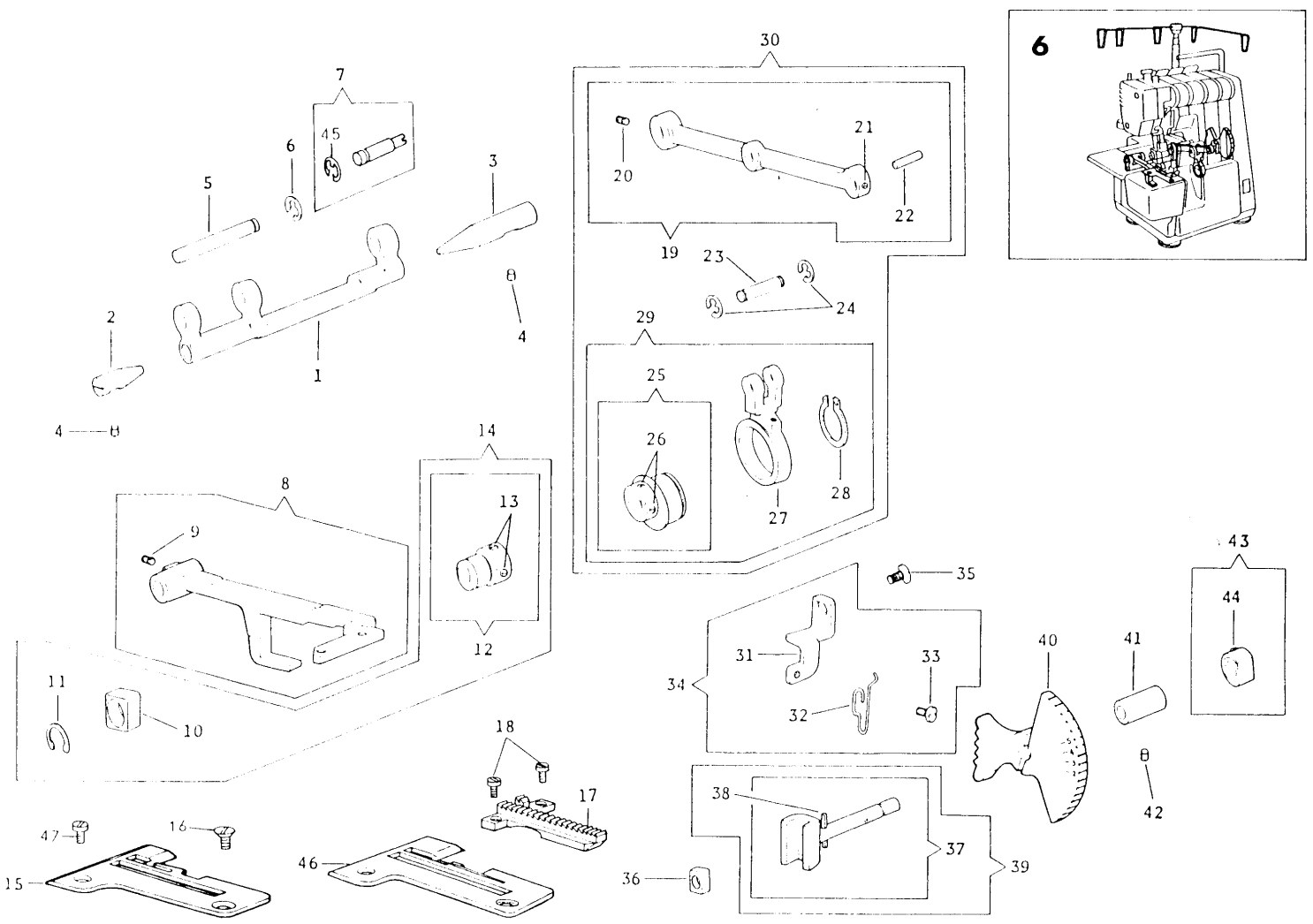
PART NO.	DESCRIPTION	PART NO.	DESCRIPTION
544262	Presser Regulating Thumb Screw		
410355	Presser Bar Spring		
544204-001	Presser Bar Guide Bracket Screw		
410352	Presser Bar Guide Bracket Comp.		
410354	Presser Bar Lifter		
544261	Presser Bar Lifter Screw Stud		
410351	Presser Bar		
504063-451	Presser Foot Screw		
412731	Presser Foot Comp.		
410349	Thread Cutter		
410348	Presser Foot Spring		
544264	Presser Foot Screw Stud		
410322	Needle Bar Pushing (upper) Cap		
410323	Needle Bar Pushing (upper)		
544204-003	Needle Bar Pushing Set Screw (2)		
412743	Needle Bar		
412744	Needle Clamp		
412745	Needle Bar Thread Guide		
374103	Needle Position Screw		
374102	Needle Clamp Screw		
374101	Needle Set Screw		
410324	Needle Bar Pushing (Lower)		
N2020-42	Needle (15 X 1 #14) (2)		
412684	Arm Shaft		
410279	Arm Shaft Bushing (2)		
544204-001	Arm Shaft Bushing Set Screw (2)		
543801-007	Arm Shaft Retaining Ring		
410325	Needle Bar Connecting Stud		
544044	Needle Bar Connecting Stud Screw		
410340	Needle Bar Connecting Link Pin		
543801-006	Needle Bar Connecting Link Pin Retaining Ring		
410327	Needle Bar Connecting Link		
412707	Needle Bar Crank Comp.		
544203-001	Needle Bar Crank Rod Pin Screw		
544204-003	Needle Bar Crank Screw(2)		
544203-001	Needle Bar Connecting Link Pin		
410338	Needle Bar Crank Rod Comp.		
544203-001	Needle Bar Crank Rod Slide Block Pin Screw		
410340	Needle Bar Crank Rod Slide Block Pin		
511030	Needle Bar Crank Rod Slide Block		
543801-006	Needle Bar Crank Rod Slide Block Pin Retaining Ring		
410337	Needle Bar Crank Rod Comp.		
410329	Needle Bar Eccentric Cam Comp.		
544204-002	Needle Bar Eccentric Cam Set Screw (2)		
410340	Needle Bar Crank Rod Pin		
543801-006	Needle Bar Crank Rod Pin Retaining Ring		
410463	Needle Thread Take-up		
544211-051	Needle Thread Take-up Screw		
410451	Needle Bar Connecting Link Comp.		



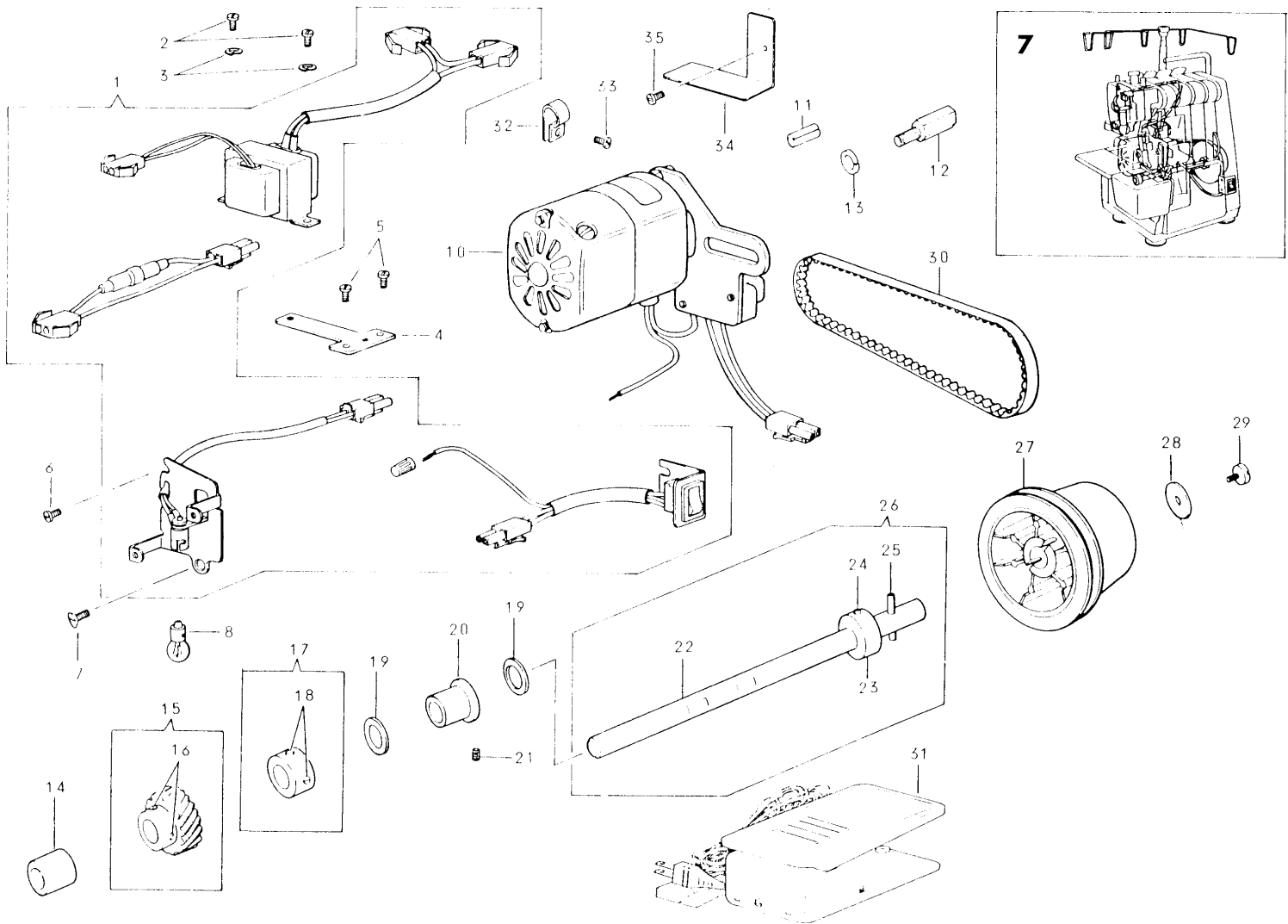
	PART NO.	DESCRIPTION		PART NO.	DESCRIPTION
1	410455	Right Looper Thread Guide	52	544203-001	Left Looper Shaft Collar Screw (4)
2	544212-001	Right Looper Thread Guide Set Screw	53	410491	Left Looper Shaft Collar Comp. (2)
3	410438	Left Looper Thread Guide	54	410487	Left Looper Shaft
4	544212-001	Left Looper Thread Guide Set Screw	55	544213-053	Left Looper Holder Clamping Screw
5	544203-001	Right Looper Retainer Driving Lever Stud Set Screw	56	410455	Left Looper Holder Comp.
6	544213-055	Right Looper Retainer Driving Lever Clamping Screw	57	410452	Left Looper
7	410436	Right Looper Retainer Driving Lever Comp.	58	544211-055	Left Looper Screw
8	410435	Right Looper Retainer	59	410456	Left Looper Holder Thread Guide
9	410422	Right Looper Retainer Driving Lever Stud Oil Wick	60	544212-001	Left Looper Holder Thread Guide Screw
10	410449	Right Looper Retainer Driving Lever Stud Comp.	61	410472	Looper Thread Guide
11	410429	Right Looper Retainer Guide Comp.	62	410495	Looper Thread Guide (small)
12	544203-001	Right Looper Retainer Guide Collar Screw (1)	63	410478	Looper Thread Guide Plate
13	410432	Right Looper Retainer Guide Collar Comp.	64	544212-001	Looper Thread Guide Screw (1)
14	410428	Right Looper Retainer Guide Bracket			
15	410427	Right Looper Retainer Guide Bracket Comp.			
16	544213-002	Right Looper Retainer Guide Bracket Screw (1)			
17	410434	Right Looper			
18	544413	Right Looper Screw			
19	410279	Right Looper Shaft Bushing (2)			
20	544204-001	Right Looper Shaft Bushing Set Screw (2)			
21	544203-001	Right Looper Shaft Collar (4)			
22	410291	Right Looper Shaft Collar Comp. (2)			
23	410272	Right Looper Shaft			
24	544213-054	Right Looper Shaft Lever Screw			
25	544203-001	Right Looper Cam Rod Stud Set Screw			
26	410441	Right Looper Shaft Lever Comp.			
27	410440	Right Looper Cam Rod			
28	410422	Right Looper Cam Rod Stud Oil Wick			
29	410266	Right Looper Cam Rod Stud Comp.			
30	544204-001	Right Looper Cam Set Screw (2)			
31	410443	Right Looper Cam Comp.			
32	410439	Right Looper Cam Rod Comp.			
33	410290	Looper Driving Gear Shaft			
34	410280	Looper Driving Gear Shaft Bushing (Short)			
35	544204-001	Looper Driving Gear Shaft Bushing Set Screw (1)			
36	542402	Looper Driving Gear Shaft Collar Thrust Washer (1)			
37	544203-001	Looper Driving Gear Shaft Collar Screw (4)			
38	410291	Looper Driving Gear Shaft Collar Comp. (2)			
39	544204-001	Looper Driving Gear Screw (2)			
40	410394	Looper Driving Gear Comp.			
41	412511	Looper Driving Gear Shaft Bushing			
42	410446	Left Looper Cam			
43	544204-001	Left Looper Cam Set Screw (2)			
44	410443	Left Looper Cam Comp.			
45	410422	Left Looper Cam Rod Stud Oil Wick			
46	410266	Left Looper Cam Rod Stud Comp.			
47	544203-001	Left Looper Cam Rod Stud Set Screw			
48	544213-054	Left Looper Shaft Lever Clamping Screw			
49	410447	Left Looper Shaft Lever Comp.			
50	410445	Left Looper Cam Rod Comp.			
51	410279	Left Looper Shaft Bushing (2)			
52	544204-001	Left Looper Shaft Bushing Set Screw (2)			



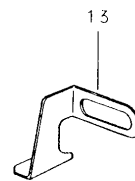
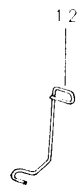
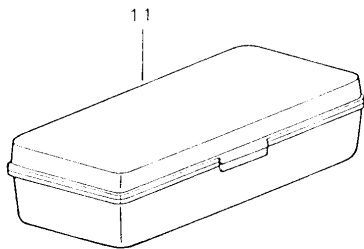
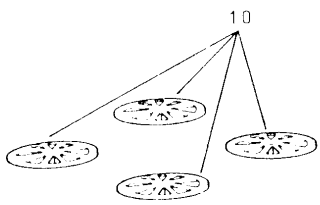
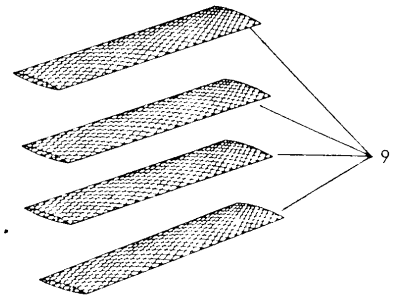
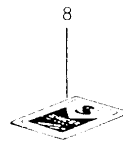
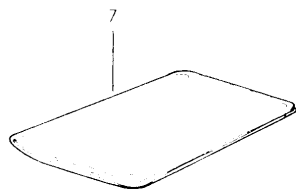
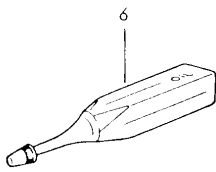
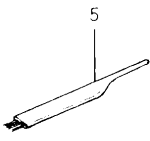
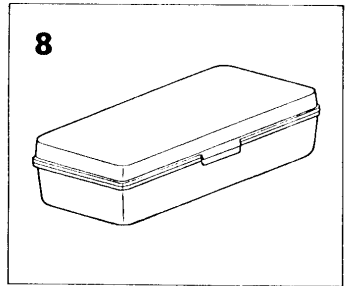
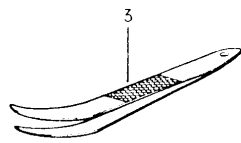
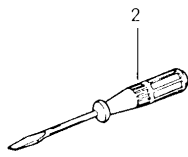
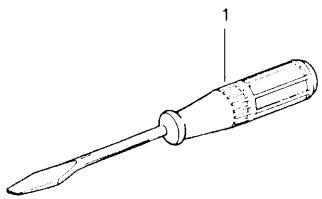
	PART NO.	DESCRIPTION	QTY	REMARKS
1	410229	Knife (movable) Lever Comp.		
2	544204-001	Knife (movable) Lever Hinge Stud Screw		
3	410310	Knife (movable) Lever Hinge Stud		
4	540254	Knife (movable) Lever Slide Block		
5	410309	Knife (movable) Holder Collar Comp.		
6	544204-001	Knife (movable) Holder Collar Set Screw		
7	412584	Knife (movable) Comp.		
8	544407	Knife (movable) Screw		
9	412585	Knife (movable)		
10	412586	Knife (movable) Holder		
14	410307	Knife (movable) Holder Spring		
15	410298	Knife (movable) Lever Comp.		
16	410312-012	Knife (movable) Lever Driving Arm Comp.		
17	543802-002	Knife (movable) Lever Driving Arm Spring Pin		
18	410316	Knife (movable) Forked Lever Stud Bushing		
19	544204-001	Knife (movable) Forked Lever Stud Bushing Set Screw		
20	410317	Knife (movable) Forked Lever (comp.)		
21	544204-001	Knife (movable) Forked Lever Screw (L)		
22	412768	Knife (stationary) Comp.		
23	412738	Knife (stationary) Holder		
24	412742	Knife (stationary)		
25	410297	Knife (stationary) Clamping Plate		
26	544259	Knife (stationary) Clamping Plate Screw		
27	412742	Needle Guard		
28	545189	Needle Guard Set Screw (L)		
29	574104	Knife Holder Stud Screw		
30	541217	Knife Holder Stud Washer		
31	412774	Knife Holder Stud Spring		
32	412772	Knife Holder Stud		
33	412740	Knife Holder Adjust Screw		
34	381877	Knife Holder Adjust Screw Spring		
35	412741	Knife Holder Adjust Bushing		
36	544207-002	Knife Holder Adjust Bushing Set Screw		
37	547417	Retaining Ring (L)		



	PART NO.	DESCRIPTION		PART NO.	DESCRIPTION
1	410378	Feed Crank			
2	410380	Feed Crank Pin Center (small)			
3	410379	Feed Crank Pin Center (large)			
4	544204-001	Feed Crank Pin Center Screw (2)			
5	410381	Feed Crank Pin			
6	543801-006	Feed Crank Pin Retaining Ring			
7	410382	Feed Crank Eccentric Pin Comp.			
8	410399	Feed Bar Comp.			
9	544204-001	Feed Crank Pin Screw			
10	410387	Feed Lifting Cam Slide Block			
11	543818-010	Feed Lifting Cam Slide Block Retaining Ring			
12	410385	Feed Lifting Cam Comp.			
13	544204-001	Feed Lifting Cam Set Screw (2)			
14	410384	Feed Lifting Cam Comp.			
15	412730	Throat Plate			
16	504050-051	Throat Plate Screw			
17	412729	Feed Dog			
18	544103	Feed Dog Screw (2)			
19	410364	Feed Regulator Crank Rod Comp.			
20	544204-001	Feed Crank Eccentric Pin Screw			
21	544203-001	Feed Regulator Slide Block Stud Screw			
22	410373	Feed Regulator Slide Block Stud			
23	410363	Feed Crank Rod Pin			
24	543801-006	Feed Crank Rod Pin Retaining Ring			
25	410360	Feed Cam Comp.			
26	544203-001	Feed Cam Screw (2)			
27	410362	Feed Crank Rod			
28	543802-014	Feed Cam Retaining Ring			
29	410359	Feed Cam Comp.			
30	410393	Feed Regulator Crank Rod Comp.			
31	410376	Feed Regulator Dial Spring Bracket			
32	410377	Feed Regulator Dial Spring			
33	544212-001	Feed Regulator Dial Spring Screw			
34	410375	Feed Regulator Dial Spring Bracket Comp.			
35	544213-001	Feed Regulator Dial Spring Bracket Screw			
36	540254	Feed Regulator Slide Block			
37	410367	Feed Regulator Comp.			
38	543807-005	Feed Regulator Stud Pin			
39	410366	Feed Regulator Comp.			
40	412615-001	Feed Regulator Dial			
41	410370	Feed Regulator Stud Bushing			
42	544204-001	Feed Regulator Stud Bushing Set Screw			
43	410409	Feed Regulator Stud Collar Comp.			
44	504007	Feed Regulator Stud Collar Screw			
45	543801-007	Feed Crank Eccentric Pin Retaining Ring			
46	412689	Throat Plate Comp. for Rolled Hem			
47	412694	Throat Plate Position Screw			



	PART NO.	DESCRIPTION		PART NO.	DESCRIPTION
1	419087	Switch,Transformer,Lamp Holder Comp.			
2	549324	Transformer Screw (1)			
3	543805-002	Transformer Spring Washer (2)			
4	412752	Transformer Bracket			
5	544212-001	Transformer Bracket Screw (2)			
6	544212-001	Lamp Holder Bracket Screw			
7	544098	Lamp Holder Bracket Screw			
8	419088	Lamp			
10	419057-002	Motor Comp. (for BL)			
10	419114-002	Motor Comp. (for BL/CA)			
11	543811-001	Motor Bracket Guide Pin			
12	544259	Motor Bracket Clamping Screw			
13	543805-005	Motor Bracket Clamping Screw Washer			
14	410252	Rotating Shaft Bushing (Left)			
15	410254	Rotating Shaft Gear			
16	544204-001	Rotating Shaft Gear Set Screw (1)			
17	410470	Rotating Shaft Collar Comp.			
18	544204-001	Rotating Shaft Collar Set Screw (1)			
19	408750	Rotating Shaft Thrust Washer (1)			
20	410253	Rotating Shaft Bushing (right)			
21	544204-001	Rotating Shaft Bushing (right) Set Screw			
22	410257	Rotating Shaft			
23	410469	Rotating Shaft Collar (Fixed)			
24	543802-004	Rotating Shaft Collar Perforating Pin			
25	543802-004	Rotating Shaft Spring Pin			
26	410256	Rotating Shaft Comp.			
27	410268-001	Pulley			
28	410400	Pulley Set Screw Washer			
29	544273	Pulley Set Screw			
30	412771	Motor Bell			
31	419058	Controller Comp. (for BL)			
31	419115-001	Controller Comp. (for BL/CA)			
32	542760-001	Cord Holder			
33	544212-001	Cord Holder Screw			
34	412757	Cord Clamping Plate			
35	544212-001	Cord Clamping Plate Screw			



	PART NO.	DESCRIPTION	PART NO.	DESCRIPTION
1	541513	Driver (medium)		
2	541514	Driver (small)		
3	543162	Tweezers		
4	412749	Knife (stationary)		
5	546358	Brush		
6	541574	Oiler		
7	543158	Machine Cover		
8	M2020-42	Needle (15 X 1 #11) (2)		
8	M2020-42	Needle (15 X 1 #14) (3)		
9	543131	Thread Unwinder Spool Ret (4)		
10	546894	Thread Unwinder Spool Cup (4)		
11	543150-002	Accessory Box		
12	412762	Tape Guide		
13	412764	Edge Guide		
14	543803-003	Edge Guide Washer		
15	374105	Edge Guide Screw		